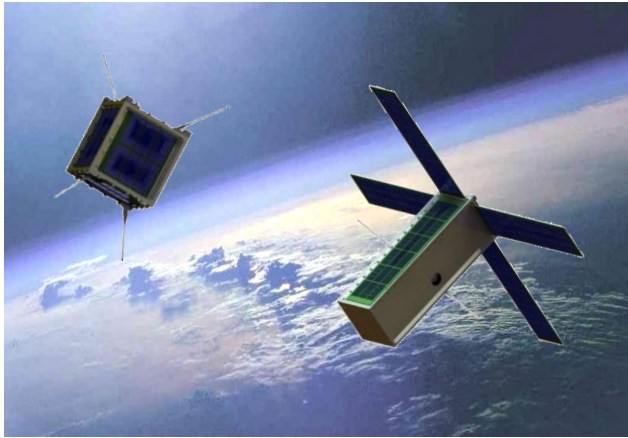


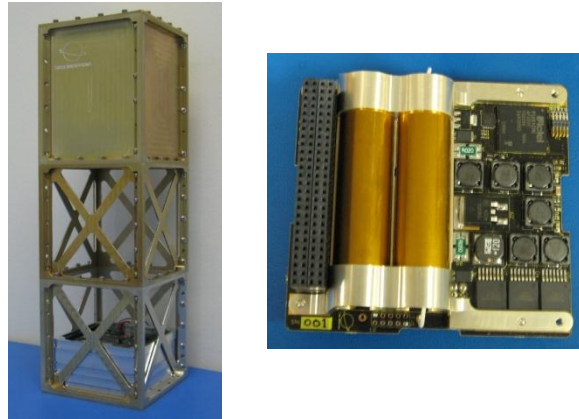
TIGER INNOVATIONS



CORPORATE CAPABILITIES

Tiger Innovations, L.L.C. is a high-tech electronics firm specializing in satellite systems and related support equipment. We are a small business with a broad range of experience in electronic digital design (FPGA/ASIC), and custom software applications. We have extensive experience with custom hardware, software, and communication protocol design and implementation. We specialize in low power, small footprint electronics for micro/nano/Cubesat satellites. Our experience ranges from hardware and software design and implementation for real-time embedded systems to custom software / COTS product integration for spacecraft ground systems. Our company philosophy is to view the entire project (design, development, documentation, and training) as equally important pieces, and strive to provide the best possible product for the lowest overall cost.

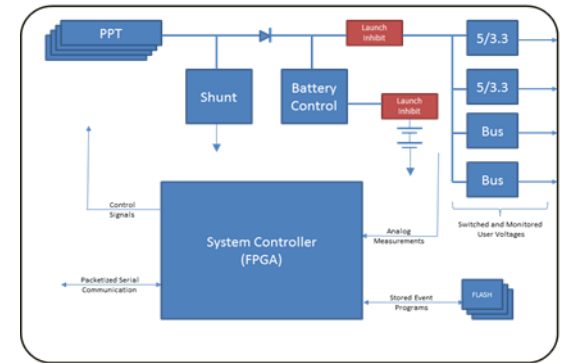
CUBESAT 0.5U ELECTRONICS PACKAGE



Tiger Innovations offers a complete integrated electronics package that is only 5 cm high. The electronics package consists of a C&DH board, an EPS board, a RF communications board and a powerful Interface I/O board. These are tested and ready to integrate payload modules. The avionics module supports multiple interface protocols and can be easily integrated with external ADCS modules, complicated payloads, custom mechanisms, and deployment devices. In addition to functioning as a CubeSat bus, our system is capable of providing C&DH, EPS, and TT&C subsystems for larger nanosat class spacecraft. We are currently planning environmental testing to qualify the CubeSat electronics package per GSFC-STD-7000. Our CubeSat design is P-POD compatible.

CUBESAT ELECTRONIC POWER SYSTEM

EPS-3 Block Diagram



Tiger Innovations leverages our extensive spacecraft hardware experience (TSX-5, STPSat-1, STPSat-2) to offer an extremely capable and reliable CubeSat power system. Our FPGA-based system provides four individual, **autonomously**-tunable, peak power trackers capable of supporting both body mounted and deployable solar arrays.

We use flight proven Li-Ion batteries that offer superior capacity (8.4V and 12.6 V, 1.8 A-Hr Bus available). The Tiger Innovations CubeSat EPS can be configured to be integrated with our CubeSat products or with PC-104 based CubeSat kits. Tiger Innovations has designed and built the most capable Cubesat EPS board available!

Regulated Voltage	5V@2A; 3.3V@2A
Solar Array Inputs	4 w/ Pk Pwr Track,10W
Shunt	Dissipates Excess Power
Batteries	2 Li-Ion, 4.2V 1.8A-Hr
Bus Protection	Low V, Over V, Low Amp
Quiescent Power	<50 mW
Height, Mass	20mm; 215g(w/ Batts)